

Clean around the clock and at any time of the day.

The ERA TEC is consistently continuing the innovative ERA series, thereby guaranteeing top performance at an incredibly quiet 49 dB in ECO mode. The ERA TEC can therefore be used around the clock, at any time of the day, even in busy and sensitive areas, such as hotels or in office rooms.

Should it be necessary, the spare filter bag compartment saves unnecessary legwork and loss of valuable working time should no replacement filter bags be close at hand.

The standard USB port and the optional storage box allow you to charge your mobile phone directly on the vacuum cleaner without setting aside your mobile anywhere on the property or losing sight of it. Alternatively, the storage box is also suitable as a practical beverage holder, for cleaning agents, or for carrying microfibre cloths.

The fill level indicator in red indicates that the filter bag needs to be changed or clogging.



Telescopic tube, stainless steel (0.6-1.0 m).

50% RECYCLED MATERIAL

	Item-No.	UK	EU
ERATEC			
ERATEC ZERO		117023	117020
incl. telescopic tube Ø 32 mm, suction hose 2.5 m, HEPA 13 fleece filter basket, HEPA 13 fleece filter bag, HEPA 13 filter cartridge, crevice nozzle, 2in1 upholstery nozzle, energy combi nozzle 280 mm, power cord 12 m, pluggable, signal red			Z117020
FLEECE FILTER BAGS:			
Fleece filter bag (10 pcs.)			106013
Fleece filter bag (250 pcs.)			106014
HEPA 13 fleece filter bag (10 pcs.)			106061

	Item-No.	UK	EU
STANDARD ACCESSORIES:			
Stainless steel telescopic suction tube, 0.6 - 1 m, Ø 32 mm			117228
Suction hose complete, 2.5 m			114113
Energy combi nozzle 280 mm			114114
2in1 Upholstery nozzle 115 mm			117294
Crevice nozzle 230 mm			101023
HEPA 13 fleece filter basket			117101
HEPA 13 filter cartridge			111132
HEPA 14 filter cartridge TIP			111193
power cord 12 m, plug-in, signal red		111177	117133

ACCESSORIES OVERVIEW see pages 46-47 and 106

Features additional equipment for the ERA TEC

FEATURES

Additional equipment for the ERA TEC



Fill level indicator LED, red.



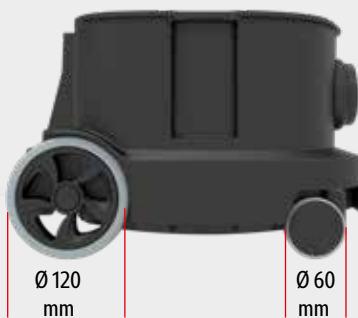
Operating LED, blue.



Clever filter compartment for spare filter bags.



Infinitely adjustable ECO mode.
100 % LpA: 54 LpA [dB]
50 % LpA: 49 LpA [dB]



Extra-large rubberised wheels and castors.



Optional storage box including 3in1 charging cable. ERA PRO standard features. Item-no. 117111