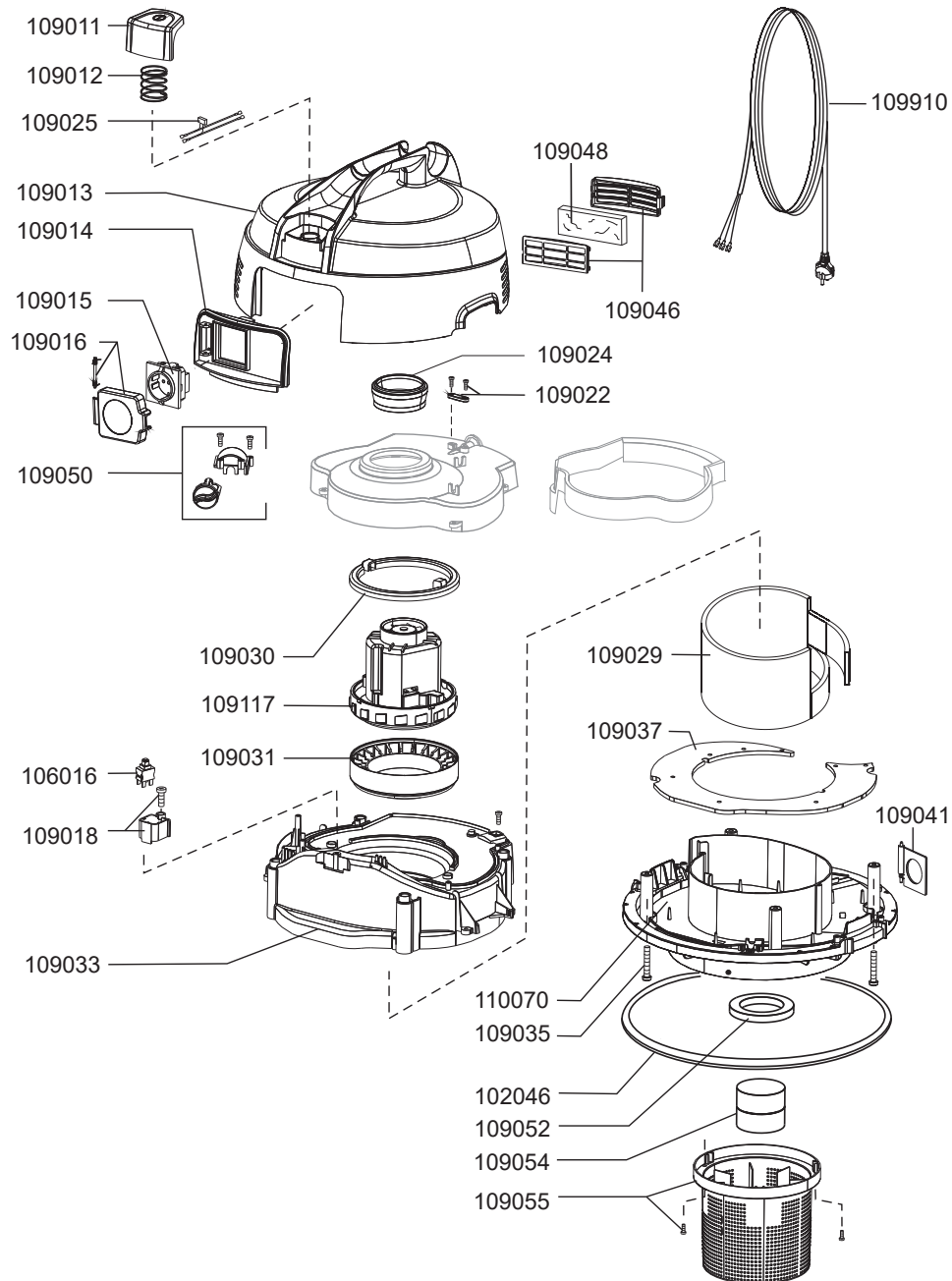


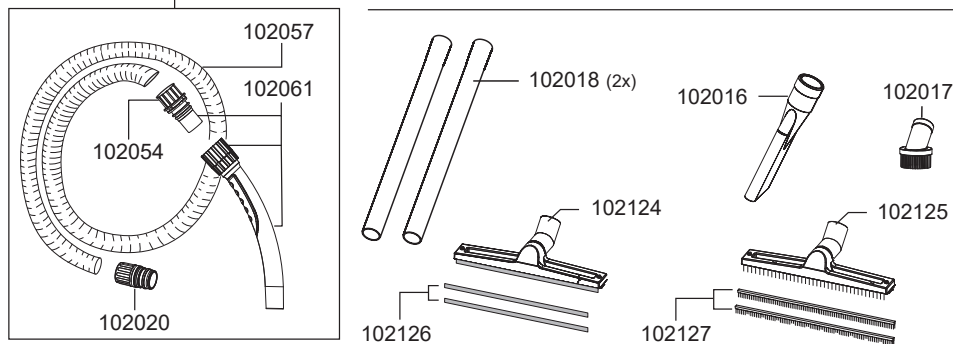
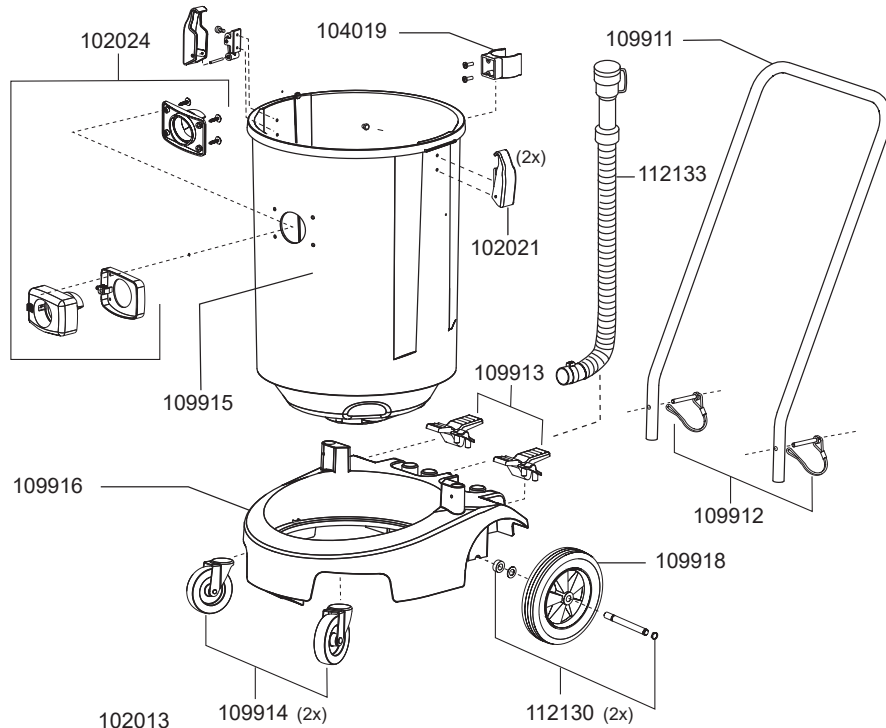
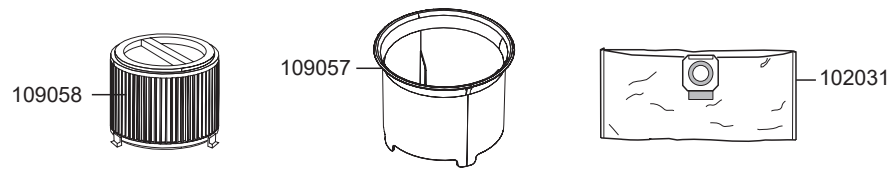
WATERKING XL



item no. description

spare parts wet and dry vacuum Waterking XL

102046	sealing tape broad
106016	switch, electrical
109117	vacuum motor, 1300 Watt
109011	key button
109012	spring for key button
109013	cover
109014	socket board incl. cover
109015	socket
109016	socket cover
109018	switch housing
109022	strain relief
109024	airflow
109025	wire set, switch
109029	filter sponge, turbine
109030	motor bearing top
109031	motor bearing bottom
109033	airflow housing, bottom
109035	screw K5, 5x30
109037	seal, air flow housing
109041	opening lid
109046	exit air housing set
109048	filter sponge, exit air
109050	switch for performance regulation
109052	seal, floater
109054	floater
109055	floater housing
109910	power cord, 10m, black
110070	base plate



WATERKING XL

item no. description

spare parts wet and dry vacuum Waterking XL

102013	vacuum hose with handle for container D38, 3m
102016	crevice nozzle, D38, 240mm
102017	furniture nozzle, D38
102018	vacuum tube, D38, stainless steel
102020	hose sleeve
102021	latch
102024	inlet D38 complete
102031	fleece filter bag
102054	sleeve
102061	handle with hose connector D38, antistatic
102124	wet floor nozzle, D38, 450mm, with parking hook
102125	dry floor nozzle, D38, 450mm, with parking hook
104019	clip for drain hose
109057	cyclone insert
109058	filter cartridge, HEPA 13
109911	pushbar
109912	spring clip
109913	brake kit
109914	castor, D100
109915	container
109916	chassis complete
109918	back wheel
112130	wheel axis
112133	waste water hose

accessory Waterking XL

102031	fleece filter bag
102032	vacuum hose, D38, 15m
102057	vacuum hose per meter, D38
102111	vacuum hose per meter, D38, antistatic, oil resist.
102116	vacuum hose with handle for container D38, 3m, antistatic
102063	coupling housing electroconductive
102126	spare lip set 450mm for 102124
102127	set of brush strips 450mm for 102125