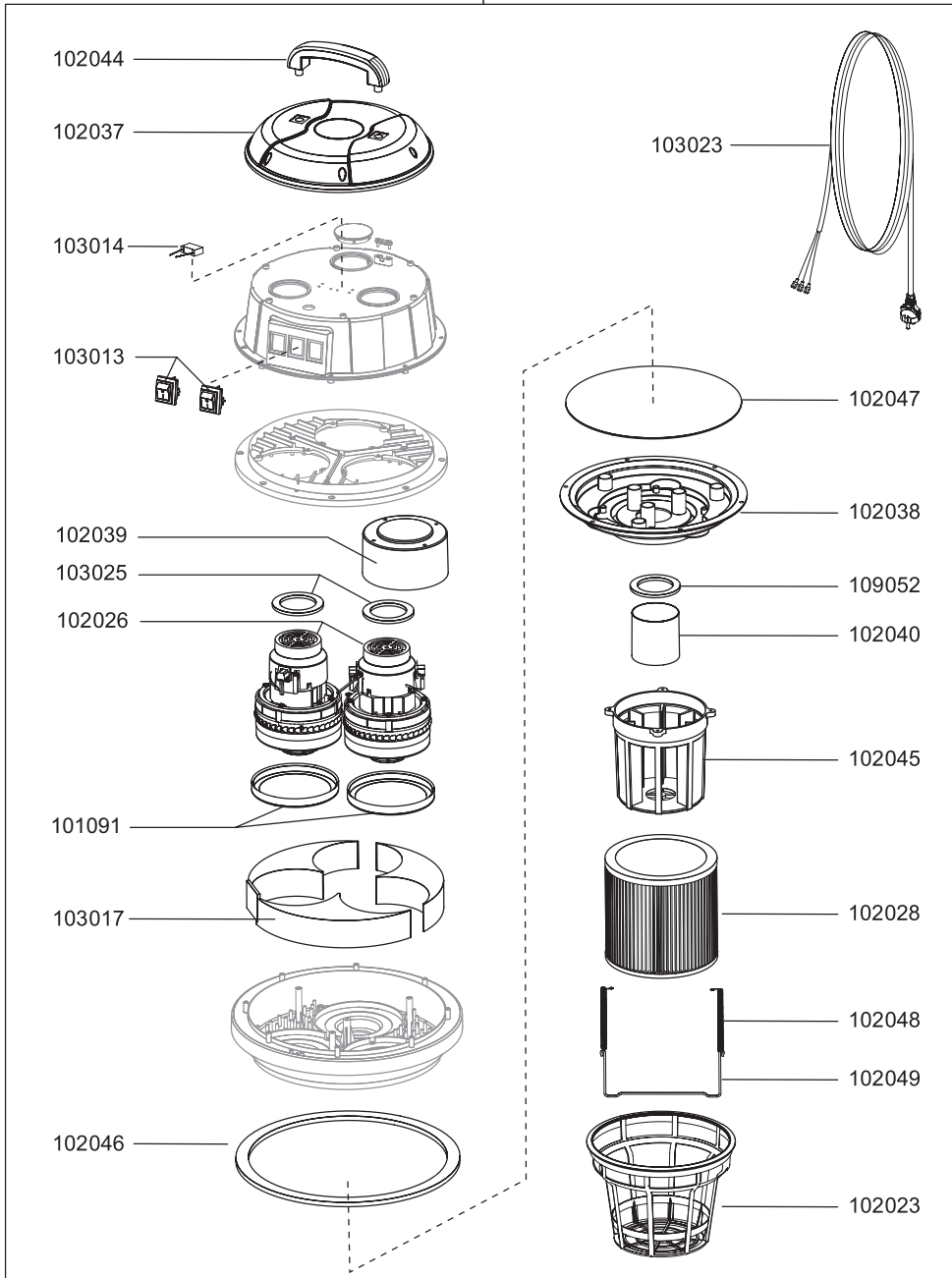


102055

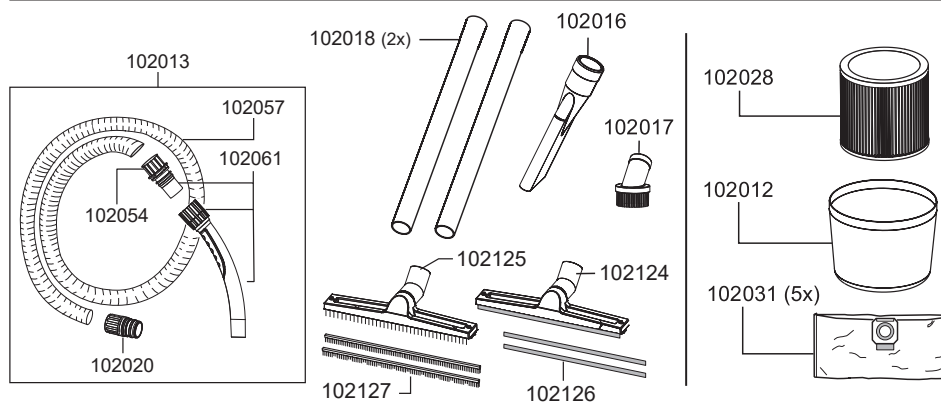
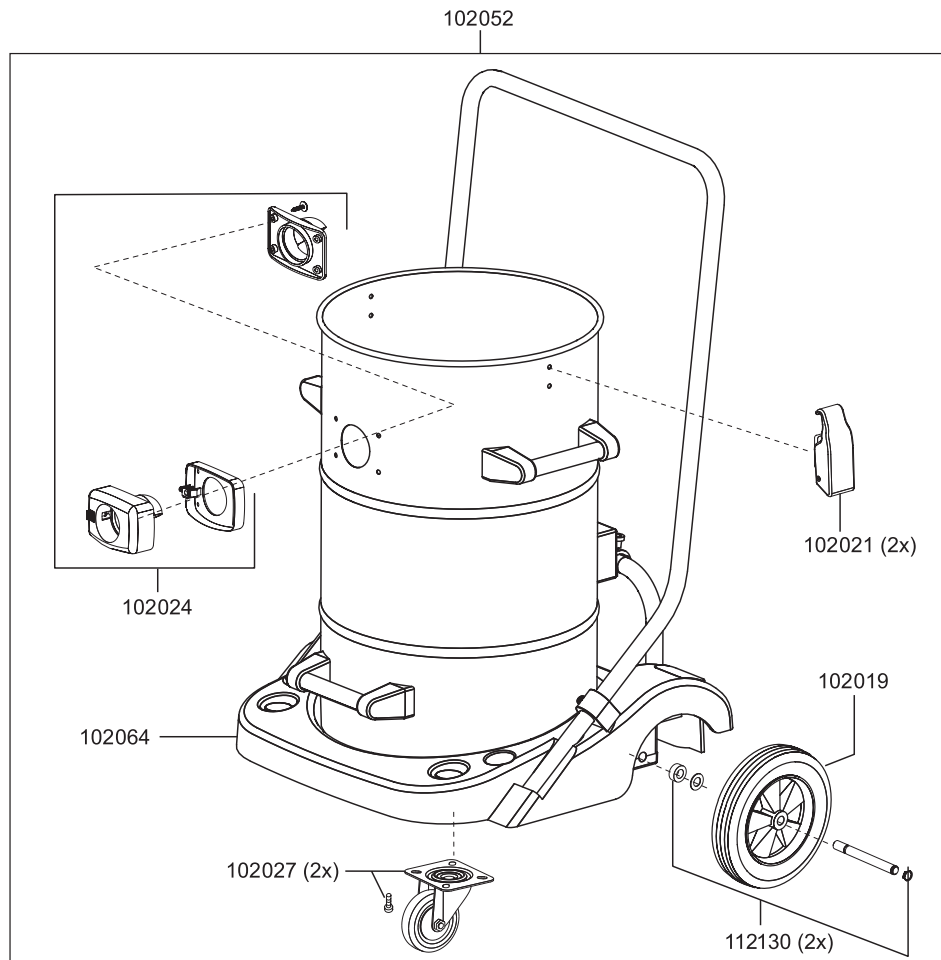


N 55/2 E

item no. description

spare parts wet and dry vacuum N 55/2 E

101091	motor bearing bottom
102023	filter basket insert
102026	vacuum motor, 1200 Watt
102028	filter cartridge Teflon N55/77/80
102037	cover top
102038	cover bottom
102039	motor cover
102040	floater
102044	handle
102045	float basket
102046	sealing tape broad
102047	sealing tape narrow
102048	pull-spring stainless steel
102049	bracket stainless steel
102055	vacuum head
103013	switch, red
103014	condensator 0,1 ?F
103017	segment piece sponge
103023	power cord, 15m, black
103025	cellular rubber ring
109052	seal, floater



N 55/2 E

item no. description

spare parts wet and dry vacuum N 55/2 E

102012	fleece filter basket
102013	vacuum hose with handle for container D38, 3m
102016	crevice nozzle, D38, 240mm
102017	furniture nozzle, D38
102018	vacuum tube, D38, stainless steel
102019	back wheel
102020	hose sleeve
102021	latch
102024	inlet D38 complete
102027	castor, D85
102028	filter cartridge Teflon N55/77/80
102031	fleece filter bag
102052	container complete
102054	sleeve
102061	handle with hose connector D38, antistatic
102064	chassis
102124	wet floor nozzle, D38, 450mm, with parking hook
102125	dry floor nozzle, D38, 450mm, with parking hook
112130	wheel axis

accessory N 55/2 E

102028	filter cartridge Teflon N55/77/80
102031	fleece filter bag
102032	vacuum hose, D38, 15m
102057	vacuum hose per meter, D38
102111	vacuum hose per meter, D38, antistatic, oil resistant
102116	vacuum hose with handle for container D38, 3m, antistatic
102063	coupling housing electroconductive
102126	spare lip set 450mm for 102124
102127	set of brush strips 450mm for 102125