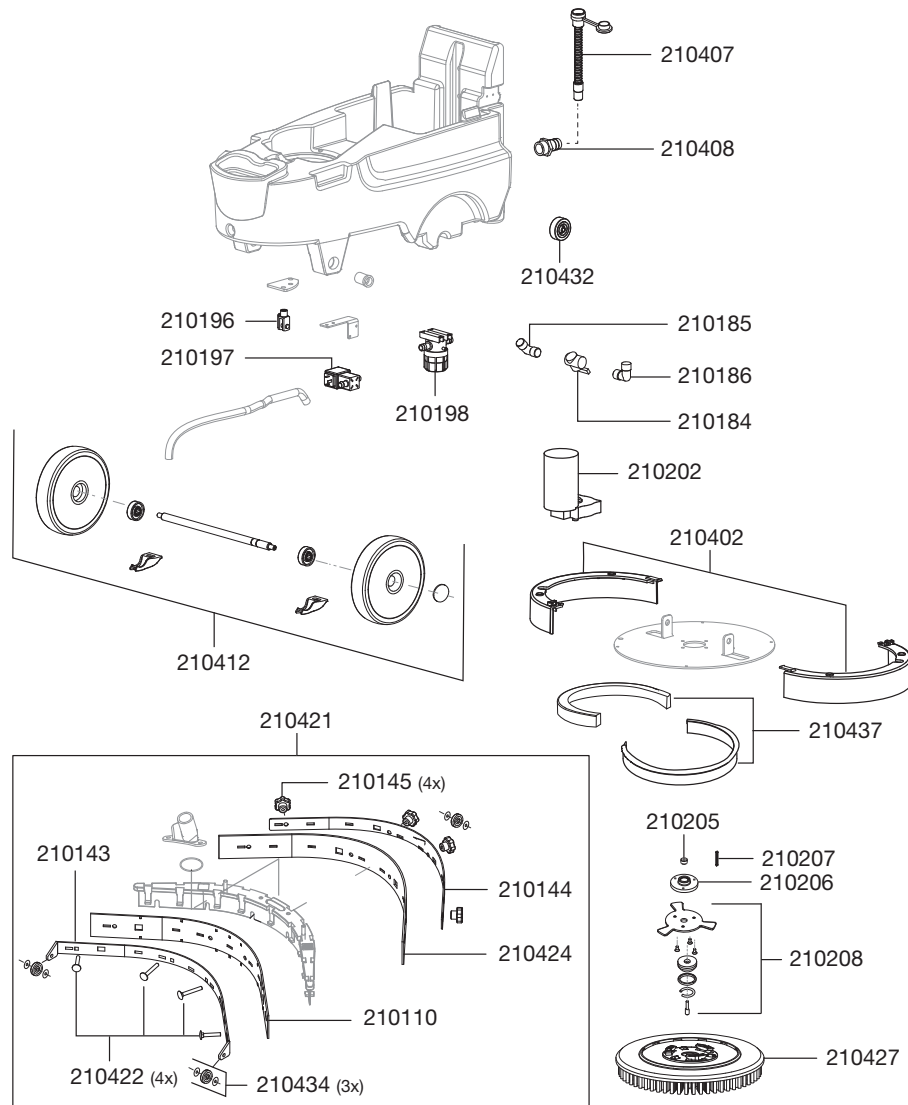


TORANA

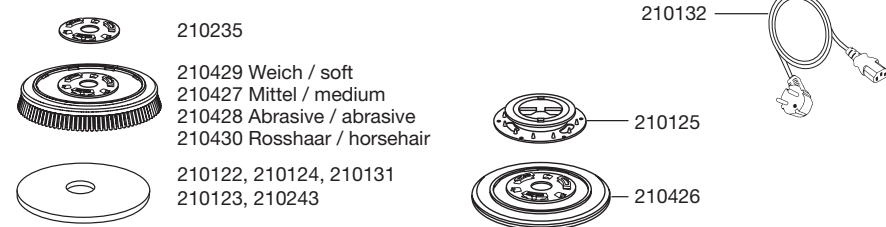
item no. description spare parts Torana

210132	cable for internal charge
210161	lid for drain hose
210173	drain hose
210175	motor filter
210176	safety cover motor
210178	cover fresh water
210179	fresh water strainer
210189	cable set
210191	circuit board
210221	key button
210222	circuit board incl. label operating panel
210223	cable set
210224	switch, electrical
210240	sponge seal for motor
210400	cover waste water tank
210401	vacuum motor, 270 Watt
210403	vacuum hose
210404	waste water tank
210405	silencer
210406	hose holder
210409	bowden cable
210410	cover footswitch
210413	label operating panel
210414	fixation set, operating unit
210416	retaining plate float
210417	float
210418	float housing
210419	charger, internal
210420	cable battery
210431	battery 12V, 33 Ah

TORANA



Optionales Zubehör / optional accessories



item no.	description
spare parts Torana	
210110	front squeegee blade
210143	front attachment strip for vacuum bar
210144	back attachment strip for vacuum bar
210145	lock nut vacuum bar
210184	ball valve
210185	elbow fitting
210186	elbow fitting
210196	screw
210197	magnet valve
210198	sight glas with fresh water strainer
210202	motor 400 Watt
210205	sleeve
210206	flange
210207	spring
210208	flange set
210402	brush cover
210407	drain hose fresh water
210408	fitting
210412	wheel set complete
210421	vacuum bar complete
210422	screw vacuum bar
210424	rear squeegee blade
210427	brush, 360mm,(medium)
210432	bumper wheel for vacuum bar
210434	wheel for vacuum bar
210437	edge protection profile rubber

accessory Torana

210122	pad white (PU=5 pcs.), 15"
210123	pad white (PU=5 pcs.), 15"
210124	pad white (PU=5 pcs.), 15"
210125	pad locker set
210131	pad red (PU=5 pcs.), 15"
210132	cable for internal charger
210235	flange for brushes
210243	Duo pad, 15"
210426	pad holder, 360mm
210427	brush, 360mm,(medium)
210428	brush, 360mm, (abrasive)
210429	brush, 360mm, (soft)
210430	brush, 360mm, (horse hair)
210435	frontside squeegee, oil resistant
210436	backside squeegee, oil resistant