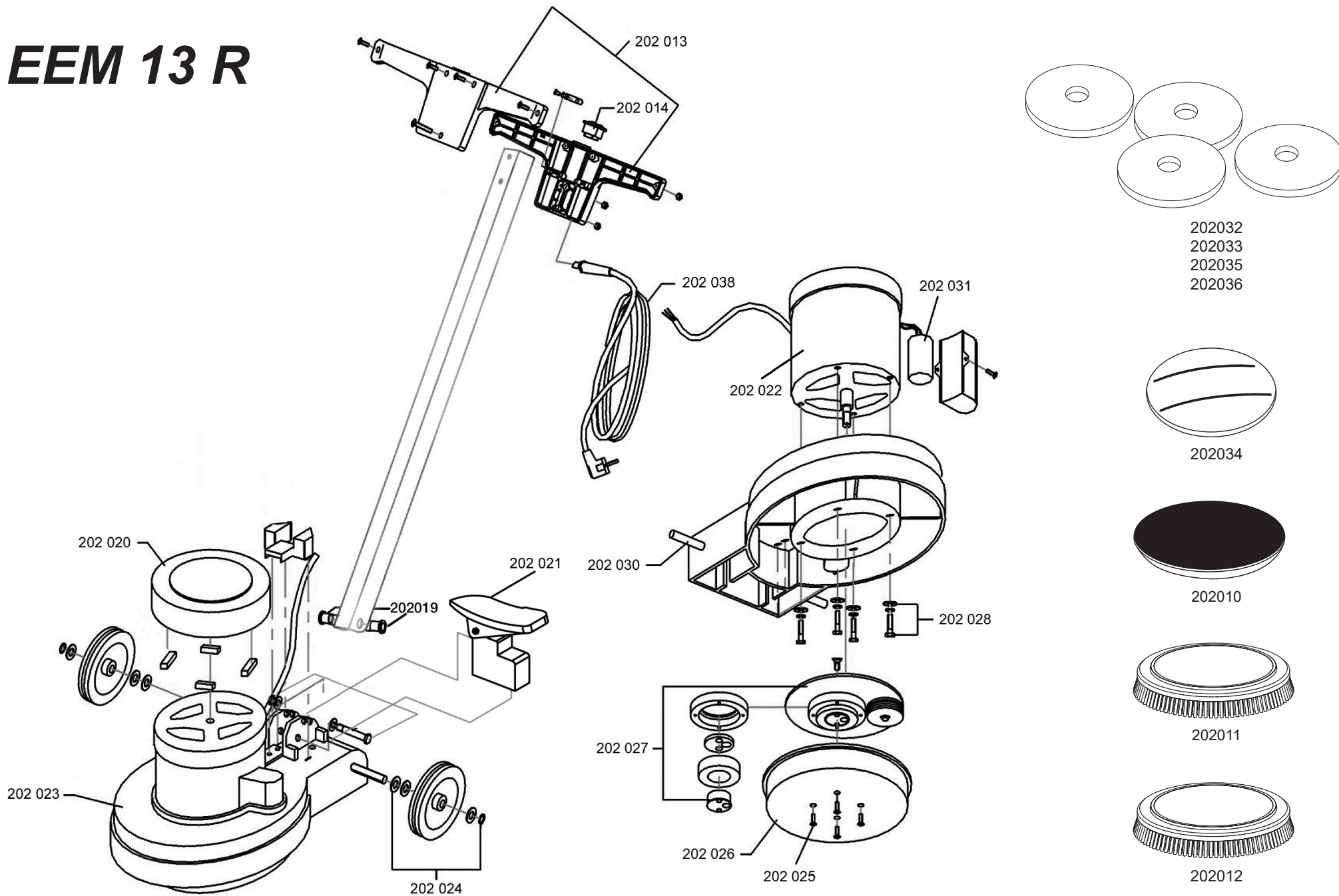


# EEM 13 R



# EEM 13 R

item no.      description

## spare parts orbital machine EEM 13 R

202010	pad holder 254mm
202011	brush, 280mm, (hard), green-white
202012	brush, 280mm, (soft), black
202013	handhold shell front and back
202014	switch
202019	axis handle
202020	motor cover
202021	foot switch
202022	motor 250 Watt
202023	base plate
202024	back wheel complete
202025	screw M4x12
202026	pad holder
202027	excenter disc
202028	screw M6x20
202030	wheel axis
202031	condenser 75 µF
202038	power cord, 7,5m, red

## accessory EEM 13 R

202032	pad green (PU=5 pcs.), 13"
202033	pad white (PU=5 pcs.), 13"
202034	Queen Bonnet pad, 13"
202035	pad red (PU=5 pcs.), 13"
202036	pad black (PU=5 pcs.), 13"
202037	pump tank
202039	Power pad, 13"