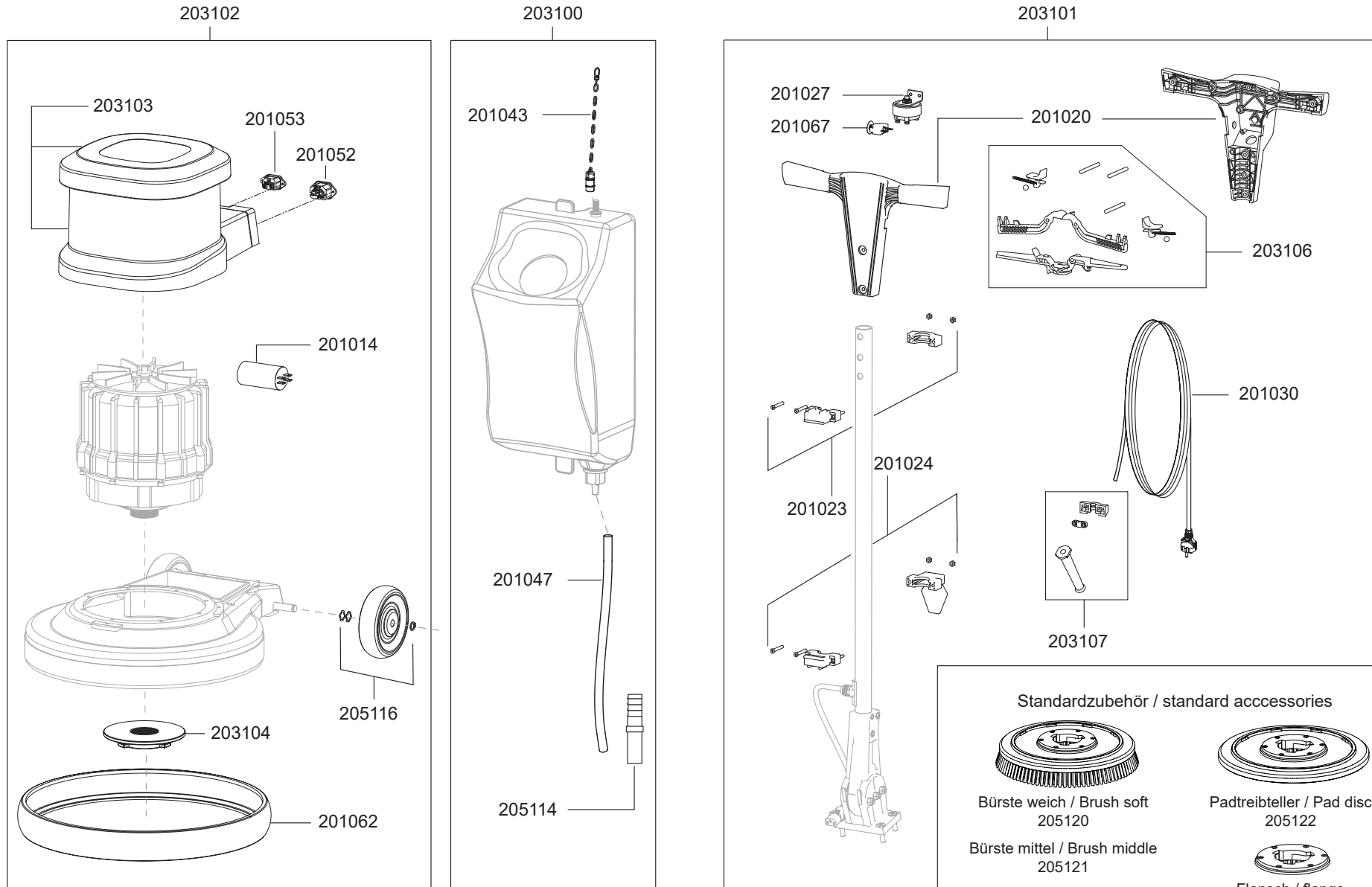


EM17 EVO



EM17 EVO

item no. description

spare parts single disc machine EM 17 EVO

201014	condenser 25 µF (operating)
201020	handhold shell front and back
201023	tank holder without cablehook
201027	switch
201024	tank holder with cablehook
201030	power cord, 12m, red
201043	chain
201047	hose
201052	socket
201053	supply unit socket
201062	rubber bumper
201067	thermal circuit breaker
203100	water tank complete
203101	operation unit complete
203102	motor complete
203103	motor cover
203104	drive flange
203105	flange disc
203106	operation element set
203107	connecting cable set
205114	fitting for hose
205116	back wheel complete
205120	brush, 432mm,(soft)
205121	brush, 432mm,(hard)
205122	pad holder, 380mm

item no. description

spare parts single disc machine EM 17 EVO

201005	pad white (PU=5 pcs.), 17"
201006	pad red (PU=5 pcs.), 17"
201007	pad black (PU=5 pcs.), 17"
201008	pad green (PU=5 pcs.), 17"
201009	Queen Bonnet Pad, 17"
201068	additional weight 14 kg
205131	brush set (205120, 205121, 205122)
201076	power pad, 17"
201077	duo pad, 17"