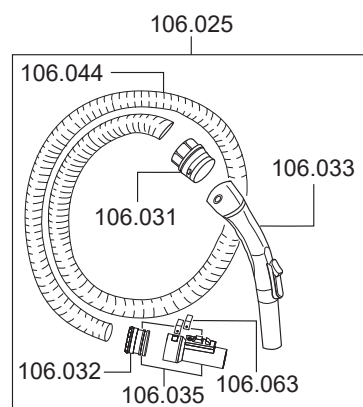
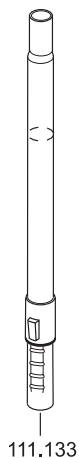
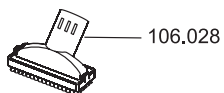
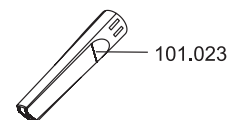
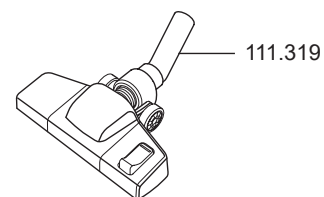
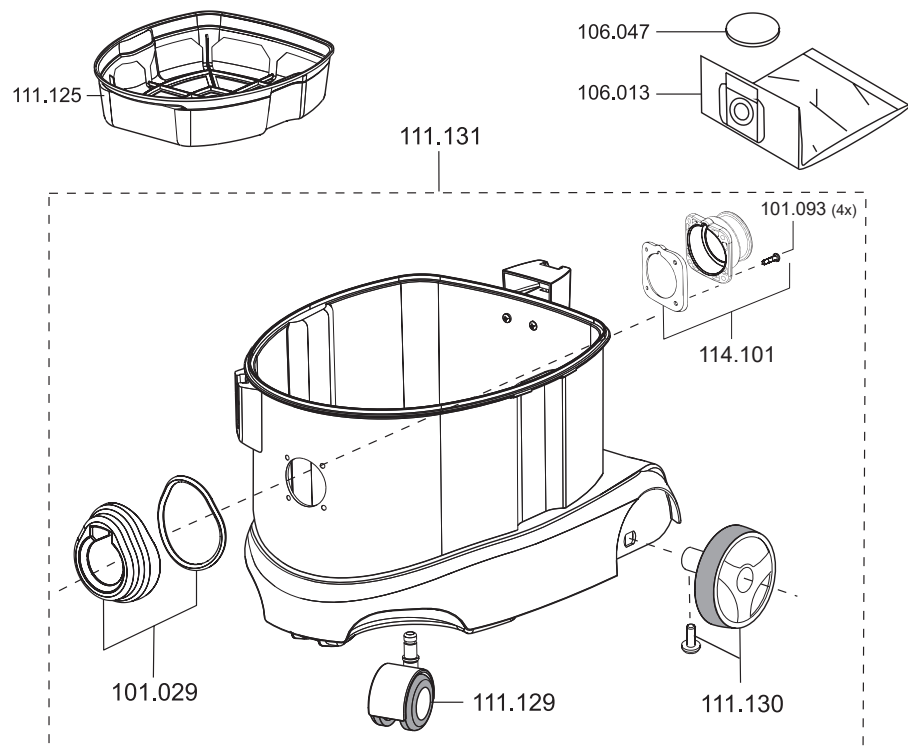


# MAXIMUS pro

item no. description

## spare parts dry vacuum Maximus pro

106016	switch, electrical
106018	bracket red
109012	clip for switch key
109016	assembly group power socket flap
109018	switcher box
109050	set performance regulator
109077	electronic automatic
109079	power socket board
111101	set of screws
111102	switch cover
111103	button
111104	cover
111105	screws M4x16
111109	engine mount below
111111	cold tool socket
111112	automatic switch
111113	insulating foam
111115	seal D6,5x940 mm
111116	cable set with condenser 0.1uF
111117	cord grip
111120	screw M5x23
111121	plug fixation
111122	power socket for power cord
111123	square nut
111310	power cord 10 m, with plug, red
111132	EPA12 filter cassette
111145	power socket board
111165	cover inside
111166	engine mount top
111167	base plate
111168	flying leads switch
111306	engine bearer
111200	engine head complete
111315	suction engine 700 Watt
112103	cable hook set



# MAXIMUS pro

item no. description

## spare parts dry vacuum Maximus pro

101023	crevice nozzle 230 mm
101029	coupling housing
101093	screw coupling housing
106013	fleece filter bag (10 pcs.)
106025	suction hose complete 2,5 m
106028	upholstery nozzle
106031	handhold sleeve
106032	connecting sleeve
106033	handhold
106035	connection incl. sleeve 106032
106047	engine fleece filter
106063	clip for suction hose 106035
111125	fleece filter basket
111129	guide roll 50 mm rubberized
111130	guide roll 50 mm
111131	container complete
111133	stainless steel telescope pole
111319	combi nozzle 280 mm
114101	adapter for fleece filter bag

## spare parts electric turbonozzle

111134	electric turbonozzle 280 mm
111135	Electrical brush 280 mm, complete
111136	set hose 2 metre for electric turbonozzle
111137	stainless steel pipe for electric turbonozzle
111139	hose connector for electric turbonozzle

## accessory dry vacuum Maximus pro

101024	furniture nozzle
106012	turbo brush 284 mm
106013	fleece filter bag (10 pcs.)
106014	fleece filter bag (250 pcs.)
106044	suction hose / price per meter Ø 32 mm
106061	HEPA 13 fleece filter bag (10 pcs.)
111128	Power cable 10 m, pluggable, black
111159	power cord 15 m with plug
111172	power cord 15 m with plug red
111202	parquet brush 360 mm
111203	flexible crevice nozzle 600 mm
111207	parquet nozzle horse hair 360 mm
101104	horsehair stripes - set for parquet nozzle
111190	turbo upholstery brush
111307	combi nozzle 306 mm