

# N28/1E

item no. description

## spare parts wet and dry vacuum N28/1E

101031	screw K4x16
101036	bracket stainless steel
101037	seal, motor
101048	float
101073	wire set
101074	power cord, 7,5m, black
101075	filter sponge, exit air
101076	filter sponge, exit air
101077	base plate
101078	seal, floater
101079	float housing
101080	filter sponge, motor
101081	cover
101086	vacuum head complete
101089	screw
101091	motor bearing bottom
101092	seal for vacuum head
102026	vacuum motor, 1200 Watt
103014	condensor 0,1 ?F
106016	switch, electrical
109011	key button
109012	spring for key button
109022	strain relief

# N28/1E

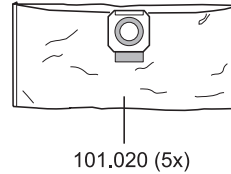
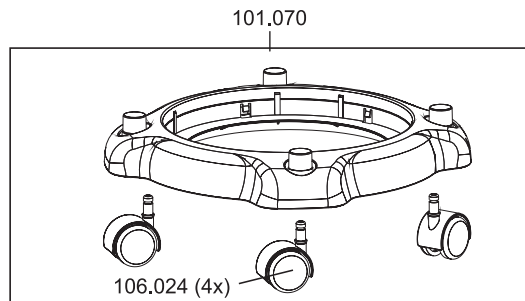
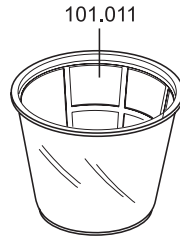
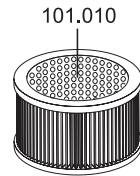
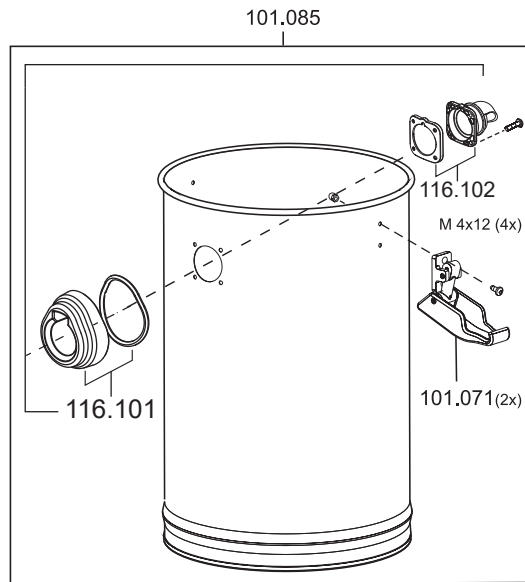
item no. description

## spare parts wet and dry vacuum N28/1E

101010	filter cartridge
101011	fleece filter basket complete
101020	fleece filter bag (PU=5 pcs.)
101023	crevice nozzle, D32, 220mm
101024	furniture nozzle, D32
101030	adapter for fleece filter bag
101070	chassis complete incl. castors
101071	latch
101085	container complete
101090	seal, coupling housing
101106	wet floor nozzle, D32, 360mm, with parking hook
106024	castor, D50
106025	vacuum hose, D32, 2,5m
106031	sleeve for handle
106032	sleeve for connection
106033	handle, antistatic
106035	hose connector complete
106062	vacuum tube, long, D32, aluminium
106063	clip for vacuum hose 106.035
109062	set inlet fitting
111202	hard floor nozzle, D32, 360mm
116101	coupling housing, hose

## accessory N28/1E

101020	fleece filter bag (PU=5 pcs.)
101100	set of brush strips 360mm for 101.106, 111.202
101101	spare lip 360mm for 101.106
101105	plastic rail 360mm for 101.106, 111.202
106012	turbo floor nozzle, D32, 284mm
106044	vacuum hose per meter, D32
106067	vacuum hose per meter, D32, antistatic, oil resist.
109111	vacuum hose, D32, 3m, antistat., oil resist.
111133	telescopic vacuum tube, D32, stainless steel
111203	crevice nozzle, D32, 600mm, flexible
111307	combi nozzle, D32, 306mm



106.025

